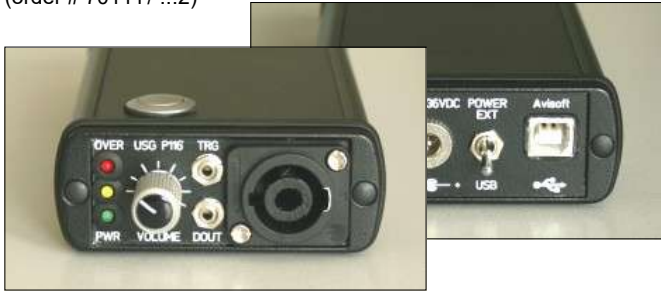


Playback

There is also a wide range of playback options available:

The bus-powered UltraSoundGate Player 116 includes a 16 bit D/A converter, a power amplifier and a bias voltage generator for operating electrostatic speakers (order # 70111/ ...2)



The 2-channel device UltraSoundGate Player 216H (order # 70117 / ...8) can play two signals simultaneously.



There are dynamic and electrostatic speakers that can be used with the UltraSoundGate Player.

The playback procedures are handled also by the RECORDER USGH software that provides a versatile playlist tool.



Dynamic speaker Vifa



Electrostatic speaker ESS16

Product Highlights

We believe that the Avisoft Bioacoustics products are among the most advanced USV recording, analysis and playback systems available today.

Hassle-free plug-and-play installation is supported by the bus-powered USB data acquisition hardware.

Solid design, made of high-quality components.

Very sensitive CM16/CMPA ultrasound microphones provide a good signal-to-noise ratio, which is essential for reliable USV data analysis.

Powerful and easy-to-use recording and analysis software.

The unique sound analysis software Avisoft-SASLab Pro supports a wide range of analysis and synthesis options. Certainly its automatic call detection algorithms provide reliable and efficient USV analysis even under difficult circumstances such as high levels of disturbing noise originating from the substrate. If this automatic procedure fails in some cases, it is still possible to correct the results interactively on the spectrographic display window.

The UltraSoundGate system has been developed by Avisoft Bioacoustics having more than 20 years of experience in designing animal sound analysis software, digital signal processing systems and ultrasound recording / detecting equipment.

It is being used successfully by an increasing number of researchers at numerous Universities and pharmaceutical companies.

More details on the system can be found at www.avisoft.com/app_usv.htm.

Avisoft Bioacoustics e.K.
Goethestr. 47
16548 Glienicke/Nordbahn
Germany

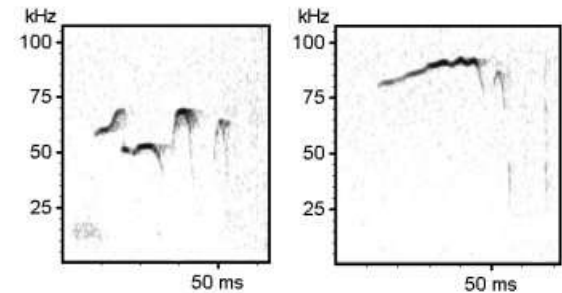
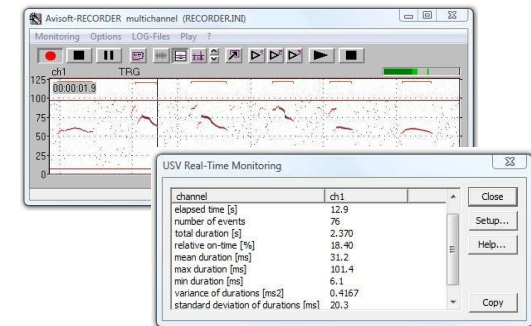
Phone: +49 (0)33056 426086

email: sales@avisoft.com

www.ultrasoundgate.com
www.avisoft.com



September 2018



**Integrated Tools for Recording,
Analysis and Playback
of Ultrasound Vocalizations
in Laboratory Rodents**

Avisoft ULTRASOUNDGATE

Avisoft Bioacoustics UltraSoundGate

Powerful ultrasound recording and playback systems for applications in laboratory rodents

Single-Channel Recording Systems

USG 116H : full-featured unit
sample rates of up to 1 MHz with external trigger inputs and spare microphone capsule (order # 51163 / ...4)



USG 116Hb : basic and cost-effective solution
sample rates of up to 300 kHz, without external trigger inputs and without spare microphone capsule (order # 51161 / ...2)



4-Channel Recording Systems

USG 416H : full-featured unit
sample rates of up to 750 kHz, 16 bit resolution for all 4 channels (order # 34163 / ...4)



USG 416Hb : basic and cost-effective solution
sample rates of up to 300 kHz @ 16bit, no external digital inputs and no trigger button (order # 64163 / ...4)

Special microphones for best results



The supplied sensitive externally polarized solid-dielectric condenser microphones exhibit a fairly flat frequency response from 15 to 200 kHz

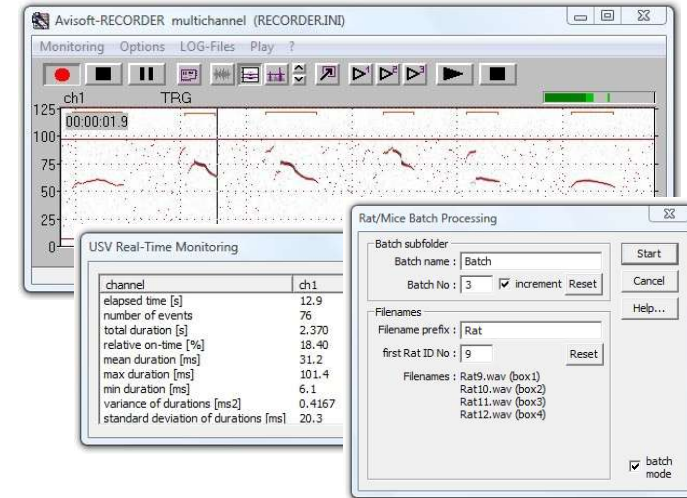
(order # 40011)



Alternative microphone models are available in order to suit special needs.

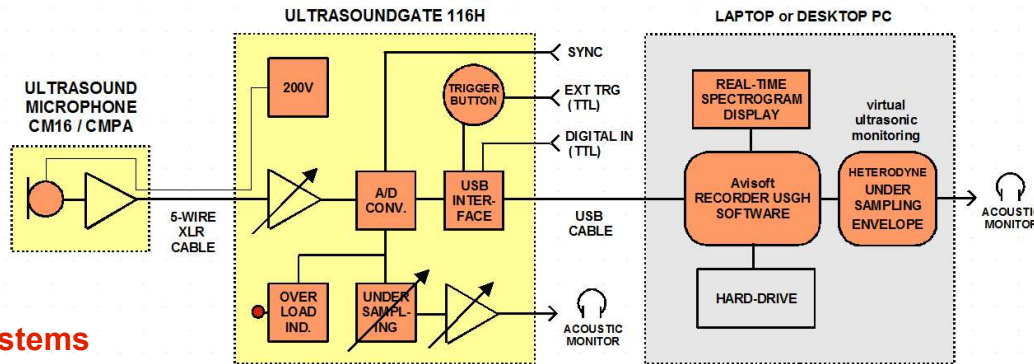
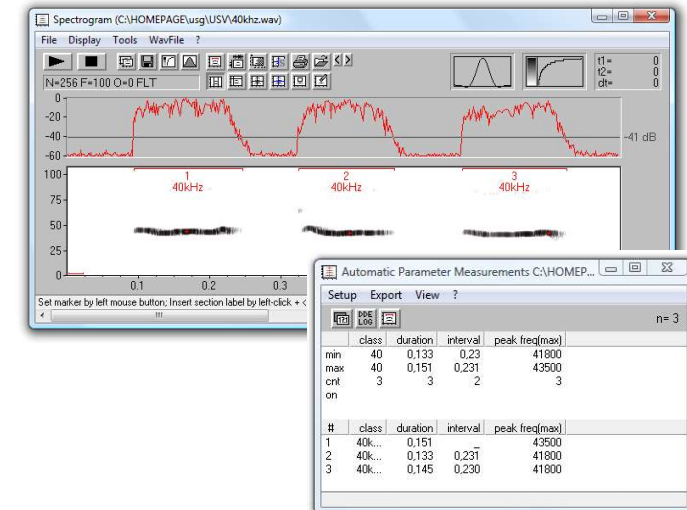
Versatile Recording Software

The accompanying Avisoft-RECORDER USGH software saves the incoming sounds as common .wav files onto the PC harddrive, provides real-time spectrogram displays, batch mode capabilities and can acquire preliminary statistics on the USVs in real-time.



Advanced Analysis Software

The sound files created by the RECORDER USGH software can be further analyzed with the Avisoft-SASLab Pro software (order # 51161 / ...2).



Functional principle of the single-channel system

System requirements

IBM-compatible PC, 600 MHz or more with at least one USB 2.0 port, running Windows Vista, 7, 8, 10 or 11



Detecting and Recording USV's has never been easier!